


# PRODUCT SHEET

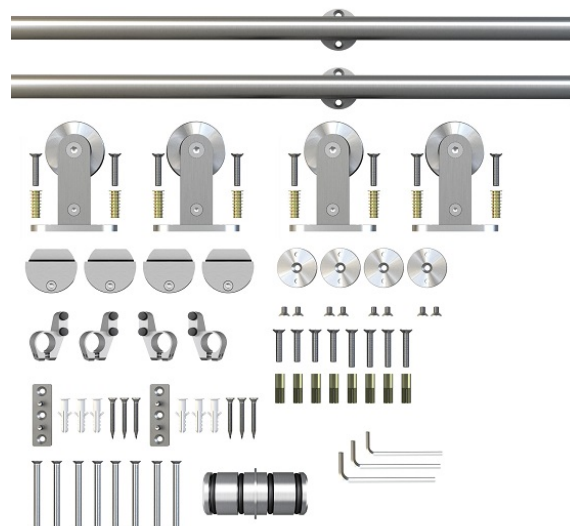
## Description:

Sliding Door System "Apollo III", 3 Mtr, SS304, F/Double Wooden Doors

## Item number:

28.29.452-0

Units	Box	Carton	HS Code	Barcode
Set	1	1	8302415000	
5704866482400				



ITEM NAME	PHOTO	MATERIAL + FINISH	QTY/SET	Notes
clamp fixing for track		SS304+ satin	4	It's used to connect the rail with wall
clamp fixing for track		SS304 +satin	4	
door stoper		SS304+ satin	4	One left side and one right side
sliding rail		SS304 +satin	3m	Dia25mm, thickness 2mm
end cap		SS304+ satin	2	pre-installed in the tubes
Sliding door roller		SS304+ satin	4	Including the furniture screw fixings.
Rail connector		SS304+ Brushed	1	For double byparting door
Floor guide		SS304+ satin	2	suitable for groove bottom door 20X7mm

## SISO A/S

Mileparken 11  
DK-2740 Skovlunde  
Denmark  
VAT: DK 24786013

Phone +45 45 830 900

www.siso.dk  
siso@siso.dk

Danske Bank  
Nytorv Branch  
Copenhagen  
SWIFT: DABADKKK

Account no.  
4180 3112 112936  
IBAN Account  
DK7230003112112936